

CELLPLUX plug-in connectors with capacitive point of measurement

guaranteed safety with raised efficiency !

Systems For Professionals

CELLPACK

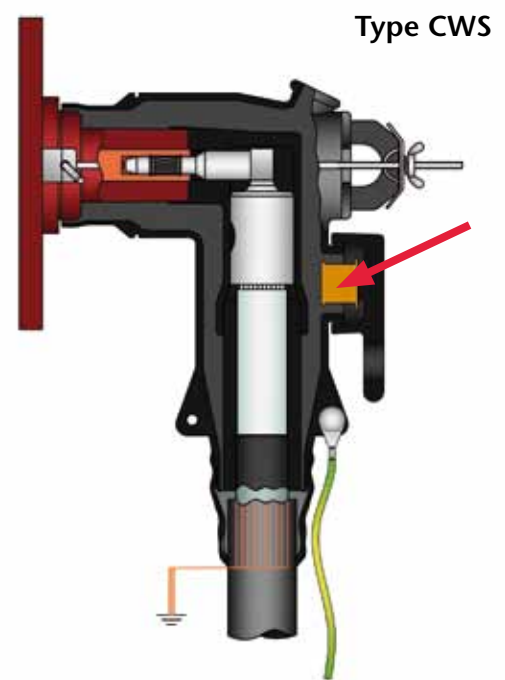
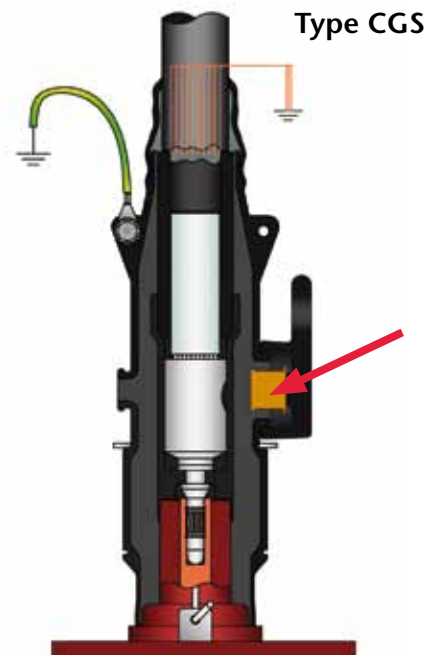
Electrical Products

CWS 250A 24kV M | CGS 250A 24kV M

Plug-in connectors for plastic-insulated single-core cables with capacitive point of measurement

The new Cellplux-plug-in connectors with capacitive measurement point are qualified for the connection of all plastic-insulated single-core cables (PE, VPE, EPR) with different screens (graphitized, detachable or peelable) as well as variable types of shieldings (wire- or tape-shielded). The straight and the elbow plug-in connectors are developed for the use at control gears and transformers for a maximal nominal voltage up to 24kV and suit for connections with power supplies with external cone-systems type A according to EN 50180, EN 50181 and DIN 47636.

The integrated capacitive measurement point allows e.g. the determination of the position of the phases, therefore CELLPACK-plug-in connectors of the Cellplux-family guarantee a high reliability in the power line.



Article	12 kV Q mm ²	17,5 kV Q mm ²	24 kV Q mm ²	Ø 1 mm	Article-No.
CWS 250A 24kV 16-95/M/EGA	50 - 95	25 - 95	16 - 95	14,7	295167
CWS 250A 24kV 70-150/M/EGA	120 - 150	95 - 150	70 - 150	19,9	293792
CGS 250A 24kV 25-95/M/EGA	50 - 95	25 - 95	25 - 95	14,7	295283
CGS 250A 24kV 70-150/M/EGA	120 - 150	95 - 150	70 - 150	19,9	293797

Further informations concerning our products:

Cellpack GmbH | Carl-Zeiss-Strasse 20 | 79761 Waldshut-Tiengen
Tel.: +49 7741 6007-0 | Fax: +49 7741 64989 | electrical-products@cellpack.com

