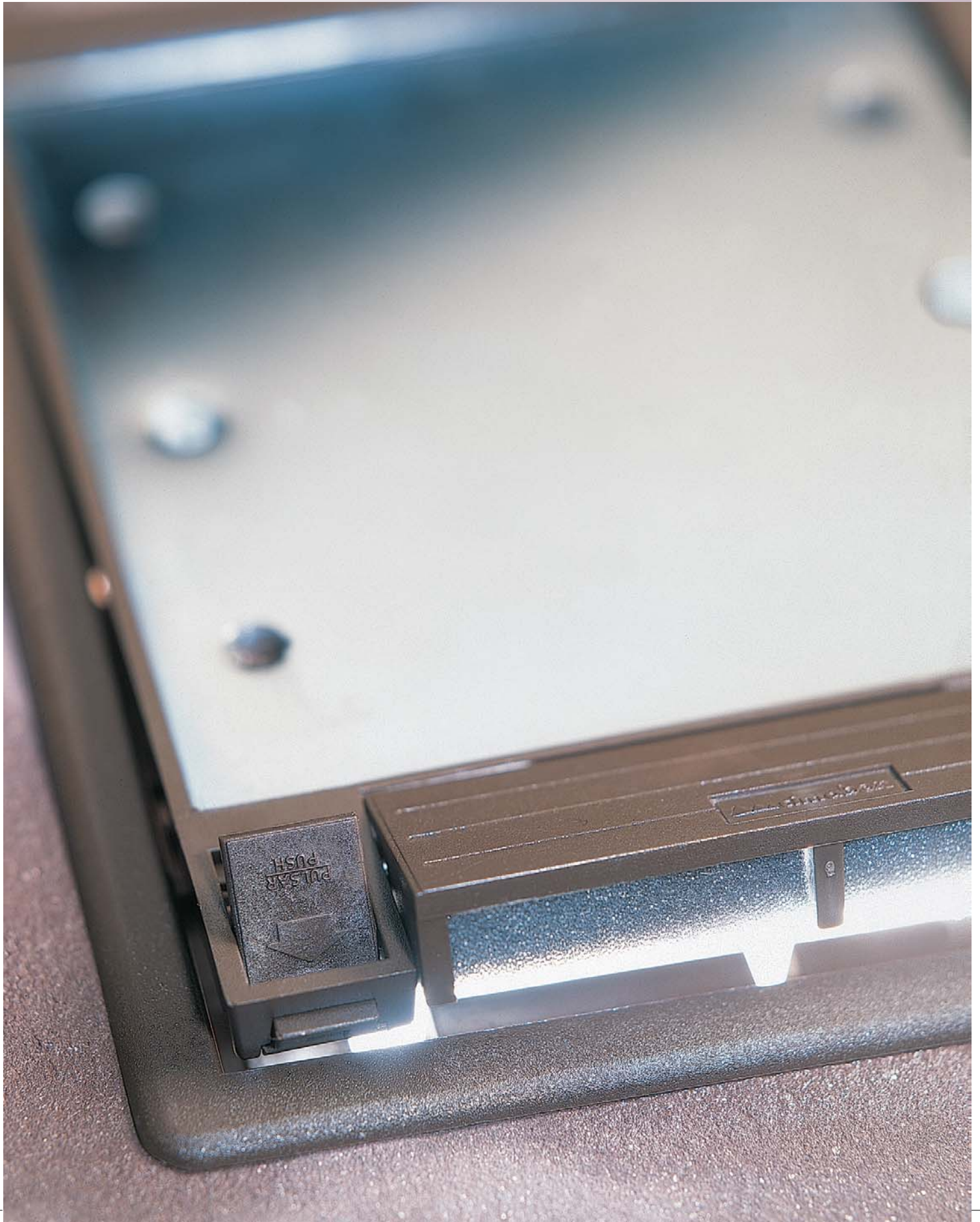


serie S



serie S

Modular floor boxes for pavement and technical floor installation

CHARACTERISTICS

- Available in 1, 2, 3, 4 and 6 modules.
- Basic colours: grey and graphite grey.
- Made of halogen-free and self-extinguishing materials.
- Internal divider of power and data services.

ADVANTAGES

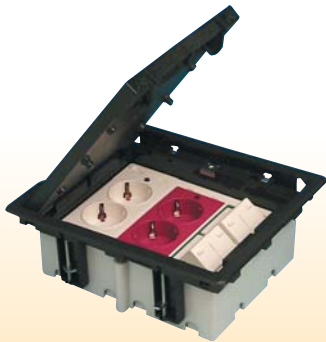
- Hinged and interchangeable covers with safety catch.
- Pivoting cable exit.
- Adjustable depth tray.
- Pivoting attachment loops by fast action screws.
- Available in two different depths (pavement or technical floor).
- Allows protection devices to be incorporated.



READY TO INSTALL

All our products come with all the necessary accessories for immediate installation.

serie S

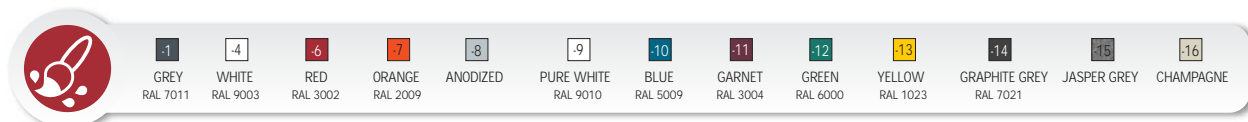


				Floor boxes		Frames			Flushing Cover
				70mm. depth	93mm. depth	Flat Frames	2 inclined modules	2 special modules	
				-1 -14	-1 -14	-4 -6 -9 -10 -11 -12 -13 -14	-4 -9	-4 -9	-1 -14
Number of Modules	Mechanism capacity								
	Standard Cimabox	45x45 50x50							
1 MODULE	1	2	S170	S110	M102	-	-	S105	
2 MODULES	2	4	S270	S210	M202	-	-	S205	
3 MODULES	3	6	S370	S310	M302	S125 (*)	S122 (**)	S305	
4 MODULES	4	8	S470	S410	M402	-	-	S405	
6 MODULES	6	12	S670	S610	2 X M302	2 X S125 (*)	2 X S122 (**)	S605	

(*) Frame specifically for mounting on Ref. S310 and S610.

See dimensions on page 143-145

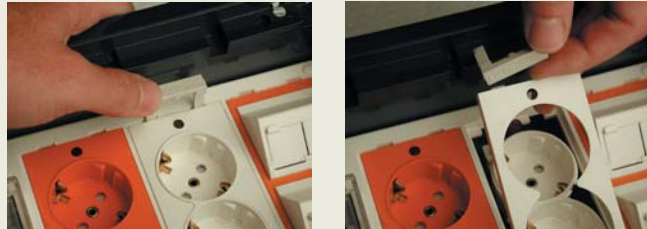
(**) Frame S122 is mounted exclusively with Ref. S310, S370, S610, S670, 3, S123, and S124.





Quick plate removal

Using the push-pull key, the front part of the module can be removed, allowing direct access to the mechanisms. This allows modifications, changes or repairs to be carried out quickly without having to unscrew the frames.



Internal divider

A metal plate with ground clamp separates the electrical zone from the voice and data zone. This eliminates interferences and avoids false contacts caused by any involuntary disconnection.



Pivoting attachment points

Serie S boxes have pivoting attachment points for fixing to the false floor or to the junction boxes (Serie G). These attachment points have fast action screws to facilitate floor box installation.

The pivoting attachment points also allow *in situ* dismantling of the box, reducing labour time when changes or modifications are required.



Wide cable exit

Serie S boxes have a pivoting cover for the cable exit. This cover remains closed and flat to the floor when not in use. When in use there is a foam protector which stops dust entering and also protects the cables if stepped on.

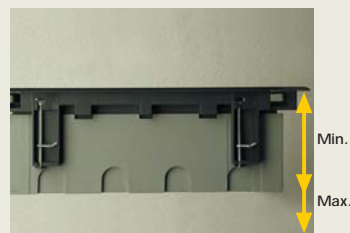




Adjustable depth tray

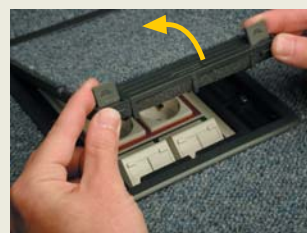
With only two screws, the depth of the tray can be changed and the area for connections increased. In this way, elements such as mobile telephone recharge sand, straight-cabled plugs can be connected without having to leave the box cover open.

MODELS	TRAY DEPTH	
	MIN	MAX
Sx10	93mm	128mm
Sx70	70mm	105mm



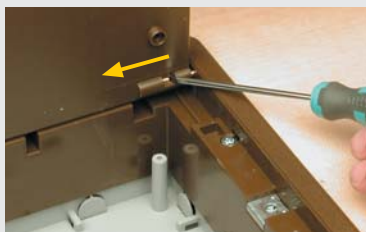
Cover with locking system

A locking system assures perfect closure of the cover. Two loops at each side of the cable exit prevent the box from staying open, avoiding knocks and possible damage to the connections. The cover is closed by pressure. It is opened by simply lifting the loops and pulling.



During assembly

Remove the Upper cover of the floor box for more comfortable working. To do this, move the support points at the bottom right corner, and the cover will come free.



Installation in a technical floor

For easier installation, it is recommendable to have all the cable entries and exits on the same side.





Automatic breaker installation

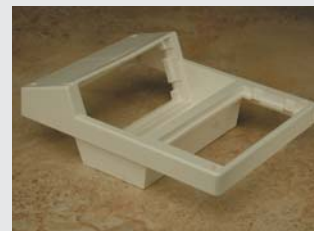
Screw in the DIN rail (ref. S145) and mount the Automatic breaker. To incorporate protection devices in the floor boxes is necessary to have a minimum depth of 98mm.



Inclined frames

Inclined frames ref. S125 are designed to be installed in 93mm deep floor boxes.

In the 70mm depth models (S170, S270, S370, S470 and S670), the inclined frames can only be mounted if the depth of the tray is adjusted to 85mm.



Installation in a technical floor

- A- Cut a hole in the floor (cutting size page 145).
- B- Fix the tubes inside the box with stuffing box or bridles.
- C- Place the box in the technical floor and tighten the attachment screws.



A



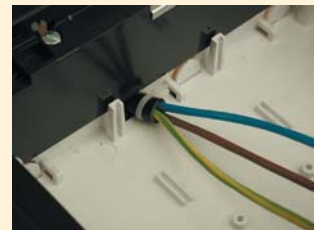
B



C

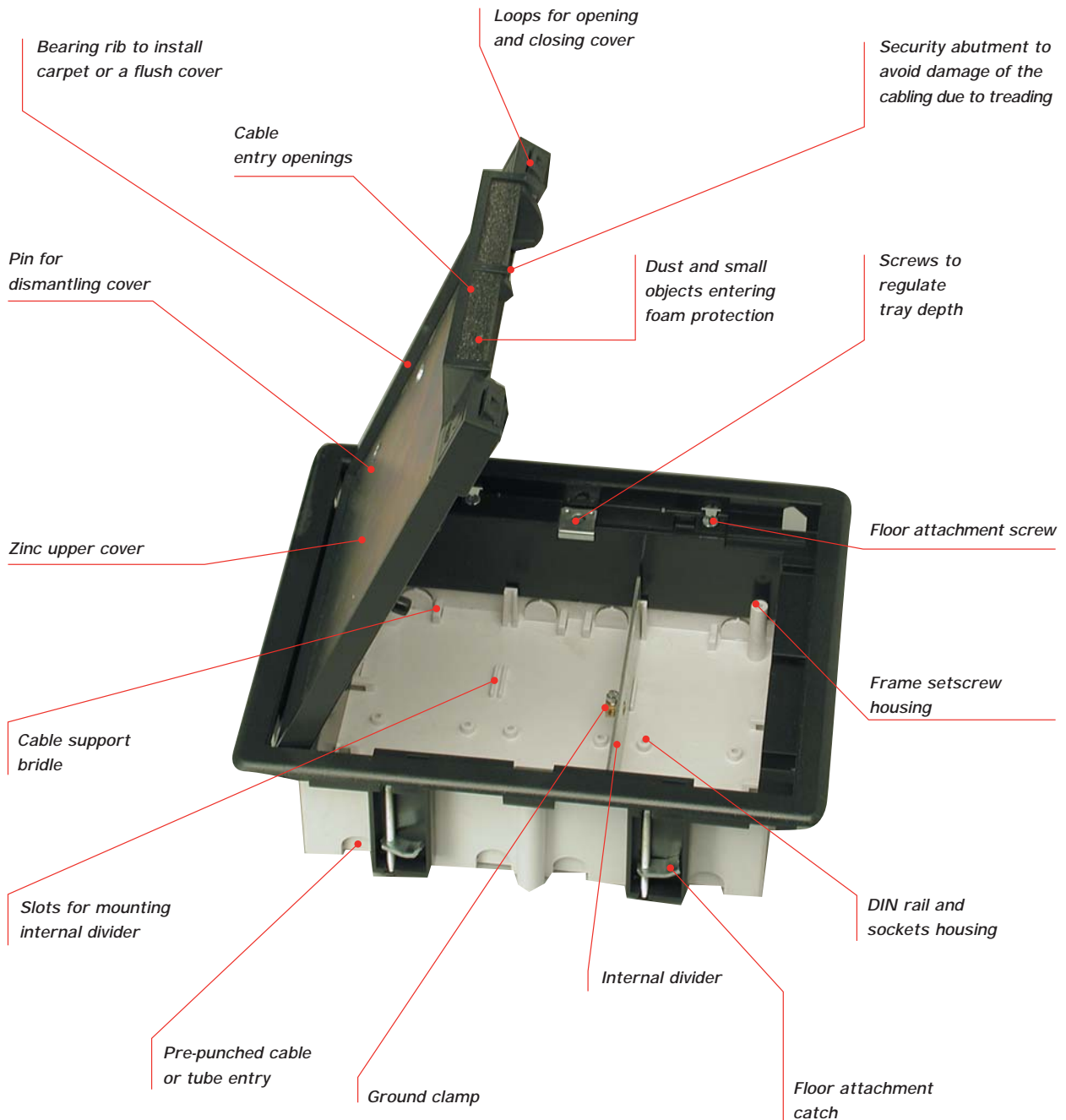
Pre-punched cable entries

The floor boxes have pre-punched cable entries. With a little pressure the entrance is opened and the interior can be accessed by the tubes (false floor) or directly with the cabling system (pavement). In both cases it is recommendable to tie the cables to the tray to avoid pulling and involuntary disconnections.



PRODUCT DETAIL

All the elements that make up the product are designed to be highly functional, both in their use and installation. The following illustration indicates the function of the different parts.



For dimensions see page 143-145

EXAMPLES OF USE



3 modules floor box installed on carpet.



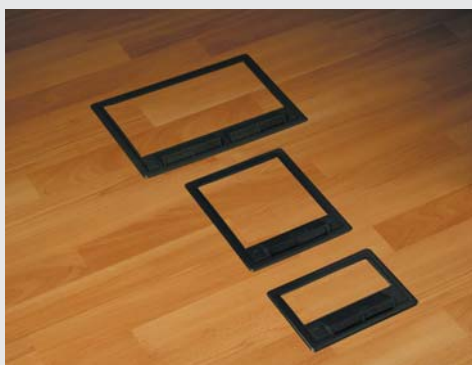
The depth regulation of the mechanisms tray allows bulky items, such as mobile telephone recharges to be connected.



The different frames and plates allow the product to be adapted to the needs of each workplace.



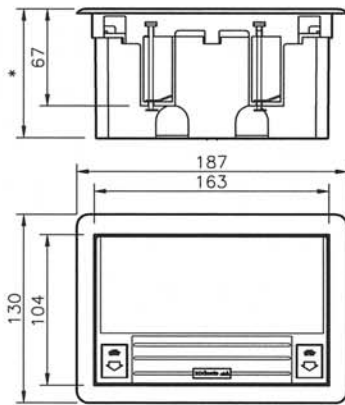
Example of an installation in a technical floor. The tray protects and insulates the box's internal connections.



The new floor box models cover all possibilities in pavement and false floor installations.

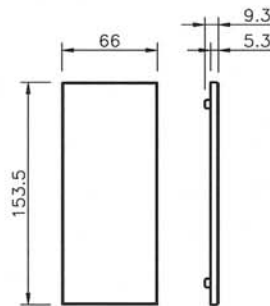
serie S

S110-S170

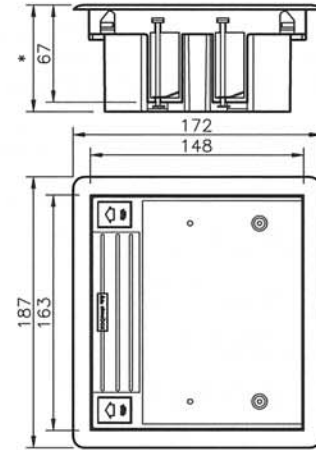


*S110=min93-m6x128 *S170=min70-m6x105

S105

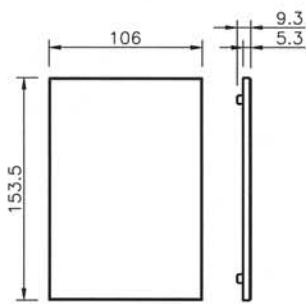


S210-S270

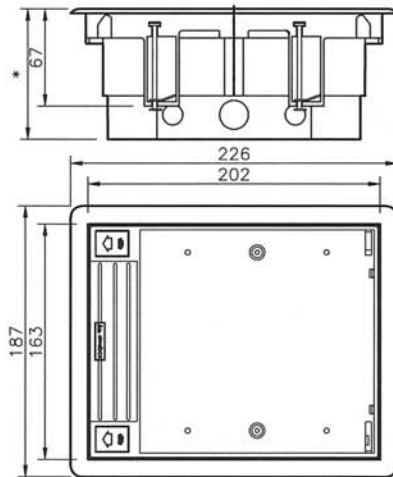


*S210=min93-m6x128 *S270=min70m6x105

S205

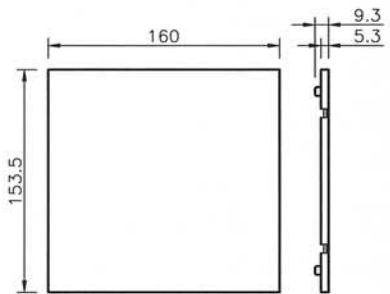


S310-S370

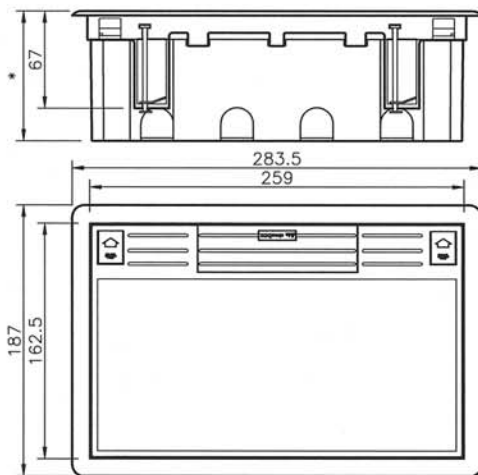


*S310=min93-m6x128 *S370=min70-m6x105

S305

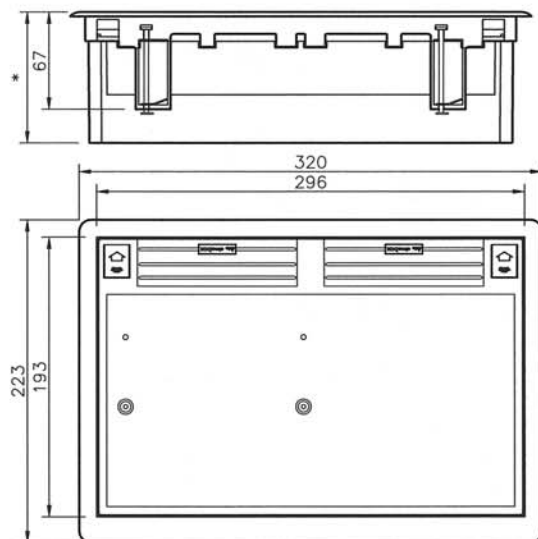


S410-S470



*S410=min93-m6x128 *S470=min70-m6x105

S610-S670

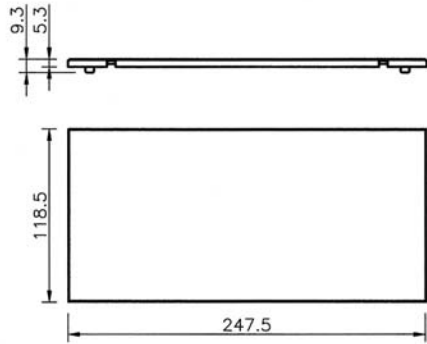


*S610=min93m6x128 *S670=min70m6x105

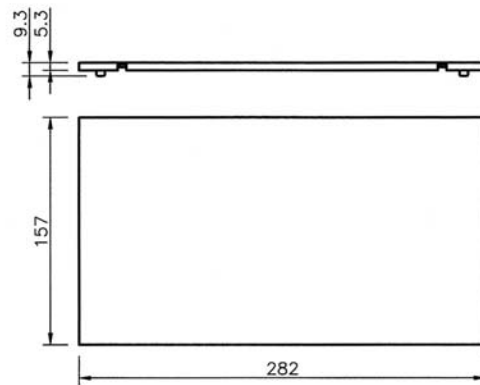
dimensions

serie S

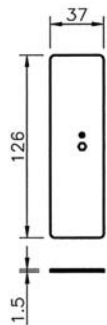
S405



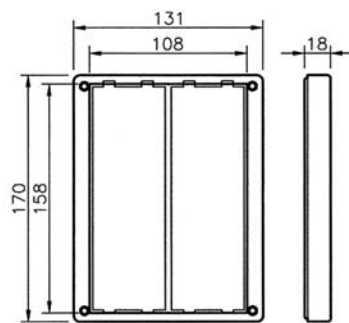
S605



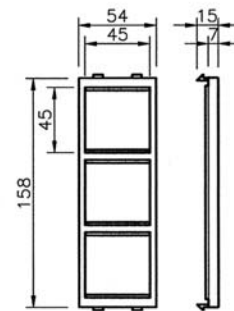
D135



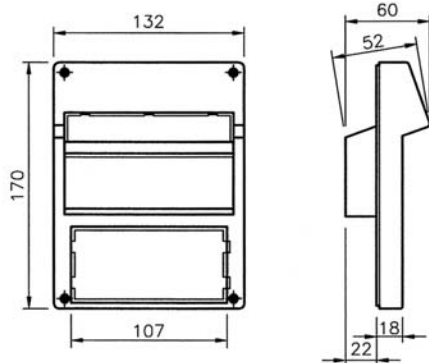
S122



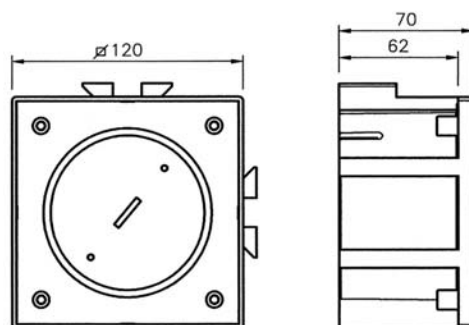
S124



S125



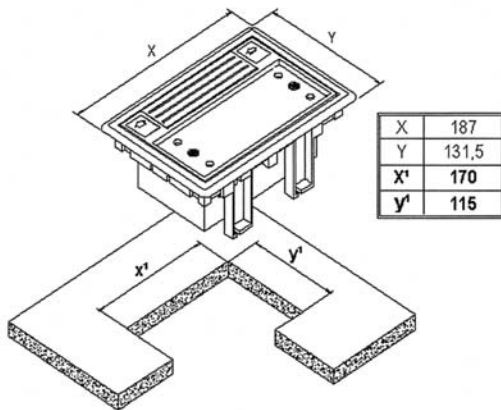
SE45



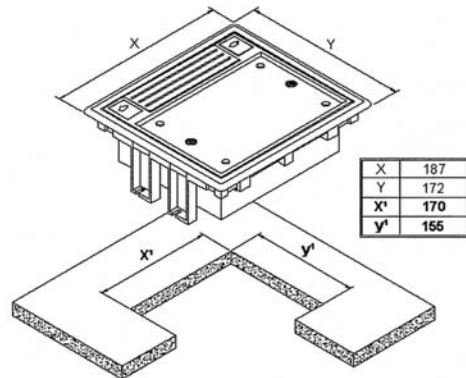
serie S

Dimensions for floor box housing

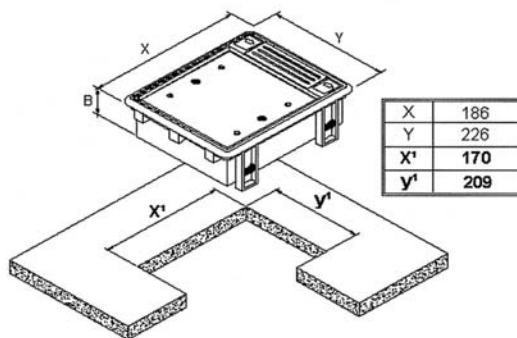
S100 / S110 / S170



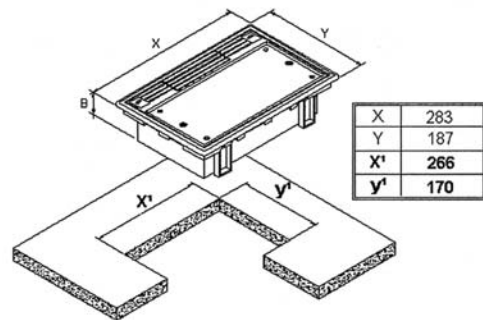
S200 / S210 / S270



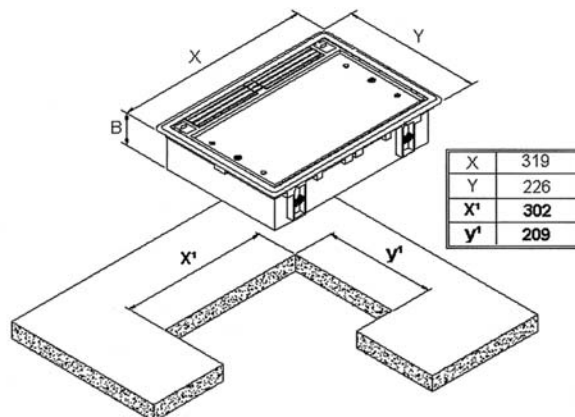
S300 / S310 / S370



S400 / S410 / S470



S600 / S610 / S670



Technical information • Dimensions